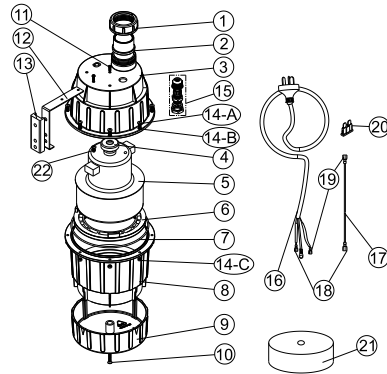


Replacement Parts

Item	Part No.	Description	Qty
1	4203010483	1.0" Nut 55 degree	1
2	4202210484	1.0" Union	1
	420221854	G832 Union	1
3	4200310482	ABR200/ABR300 Pump upper body	1
	4200310485	ABR400/ABR700/ABR900 Pump upper body	1
4	111000067	Gasket ABR200/ABR300 NBR(D26Xd14X11)	1
	111000066	Gasket ABR400/ABR700/ABR900 NBR(D36.4Xd14X11)	1
	1040410944	ABR200 motor	1
	1040410945	ABR300 motor	1
5	1040410946	ABR400 motor	1
	1040410947	ABR700 motor	1
	1040410948	ABR900 motor	1
	111000059	Gasket ABR200/ABR300 NBR (D110Xd95X13)	1
6	111000060	Gasket ABR400/ABR700/ABR900 NBR (D140.82Xd100X18)	1
	111000063	Gasket O shape ABR200/ABR300 NBR (d122.09X2)	1
	111000062	Gasket O shape ABR400/ABR700/ABR900 NBR (d152.09X2)	1
8	4200410482	ABR200/ABR300 Pump lower body	1
	4200410485	ABR400/ABR700/ABR900 Pump lower body	1
9	4203510482	ABR200/ABR300 Pump Back cover	1
	4203510485	ABR400/ABR700/ABR900 Pump Back cover	1
10	112000136	M5x32 Screw Round Head Self-Tapping	1
11	03011061	M3.5x12 Screw Round Head Self-Tapping	2
12	4203210482	Handle ABR200/ABR300	1
	4203210485	Handle ABR400/ABR700/ABR900	1
13	111000061	Pad NBR D78Xd26X12	1
14-A	03011064	Screw Round headed M4X17.5	8
14-B	03012004	Gasket M4	8
14-C	03013002	Flange nut M4	8
15	04014136	Cable connector	1
	04013101	Cable and Australian Plug	1
	04013128	Cable with US Plug (3x14AWGx2.5)	1
	04013082	Cable with France Plug	1
	04013054	Cable	1
17	104117589	Wire UL3173(125°C, 600V),18AWG	150mm
18	106517290	Housing Contact FDFN2-187	2
19	106548246	Housing Contact FDFNY1-187(8)A	2
20	1061410951	Fuse ATC5A ABR200/ABR300/ABR400	1
	106149892	Fuse ATC7.5A ABR700/ABR900	1
21	178838	Sponge pad ABR400/ABR700/ABR900	1
	178839	Sponge pad ABR200/ABR300 (half ring)	2
22	03011066	Screw Round headed M4X8	1



Terms of Warranty

As original purchaser of this equipment have purchased from Emaux Water Technology Co Ltd, through Authorized International Distributor or Dealer, warrants its products free from defects in materials and workmanship under normal use during warranty period. The warranty period begins on the day of purchase and extends only to the original purchaser. It is not transferable to anyone who subsequently purchases the product from you. It excludes all expendable parts. During the warranty period, Emaux authorized reseller will repair or replace defective parts with new parts or, at the option of Emaux, serviceable used parts that are equivalent or superior to new parts in performance. This Limited Warranty extends only to products purchased from Emaux authorized reseller. This Limited Warranty does not extend to any product that has been damaged or rendered defective

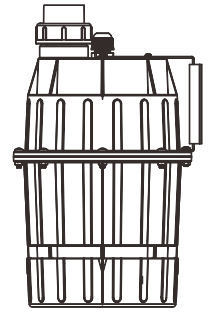
- (a) as a result of accident, misuse or abuse;
- (b) as a result of an act of God;
- (c) by operation outside the usage parameters stated herein;
- (d) by the use of parts not manufactured or sold by Emaux;
- (e) by modification of the product;
- (f) as a result of war or terrorist attack; or
- (g) as a result of service by anyone other than Emaux authorized reseller or authorized agent.

EXCEPT AS EXPRESSLY SET FORTH IN THIS WARRANTY, EMAUX MAKES NO OTHER WARRANTIES EXPRESSED OR IMPLIED, INCLUDING ANY IMPLIED WARRANTIES OR MERCHANTABILITY AND FITNESS FOR A PARTICULAR PURPOSE. EMAUX EXPRESSLY DISCLAIMS ALL WARRANTIES NOT STATED IN THIS LIMITED WARRANTY. ANY IMPLIED WARRANTIES THAT MAY BE IMPOSED BY LAW ARE LIMITED TO THE TERMS OF THIS EXPRESS LIMITED WARRANTY.

ABR Series Air Blower

Models:

ABR200 / ABR300 / ABR400 / ABR700 / ABR900



Warning and Safety Instructions

General Warning

- To maintain the IP rating, the blower must be mounted horizontally.
 - Installation of the blower must be performed by a licensed professional.
 - A means of disconnection must be integrated into the fixed wiring in accordance with wiring regulations.
 - Live electrical components must be positioned so that they are inaccessible to individuals in the spa.
 - All electrical components, except for remote control devices, must be securely installed to prevent them from falling into the bath or spa.
 - The appliance should be connected through a residual current device (RCD) with a rated residual operating current not exceeding 30 mA.
 - Components should be installed in the designated zones, and equipotential bonding must be properly implemented.
 - This appliance is not intended for use by individuals (including children) with reduced physical, sensory, or mental capabilities, or those lacking experience and knowledge, unless supervised or instructed by a responsible person.
 - Children must be supervised to ensure they do not play with the appliance.
 - If the supply cord is damaged, it must be replaced by the manufacturer, their service agent, or a similarly qualified individual to prevent hazards.
- This appliance cannot be used by children (8 years or below). Children shall not play with the appliance. Cleaning and user maintenance shall not be made by children without supervision.

Caution:

- The air blower pump must be properly grounded by a licensed electrician to prevent electrical shock or injury.
- The outlet of the air blower pump must not be blocked during operation.
- If the outlet air flow is restricted, the air temperature may rise. Exercise caution to avoid burns.
- Always disconnect the power supply before inspecting the air blower pump.

ABR series review

The Emaux ABR Series Air Blower is a cutting-edge solution designed to elevate your spa and pool experience. Engineered for powerful performance, this air blower delivers consistent, high-volume airflow, ensuring optimal operation for your spa and enhancing the overall relaxation experience. Its compact design allows for easy installation, making it a versatile choice for both residential and commercial settings. Built with high-quality materials, it ensures durability and longevity, making it a reliable addition to your spa system.

Product information

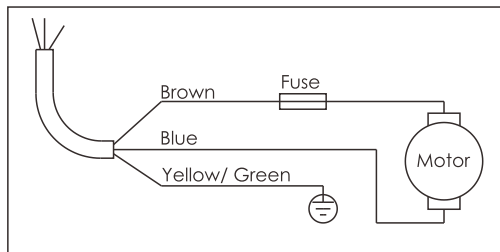
Code	Model	Voltage (V)	Input Power (W)	Current (A)	Max. Pressure (kPa)	Air volume (m ³ /min)	Jets Qty (pcs)	Recommended max. jet water depth (m)	Weight (kg)
9060101	ABR200	220V-240V, 50Hz	200	1.2	8	1.1	6 - 12	0.3	2
9060102	ABR300	220V-240V, 50Hz	300	1.7	11	1.3	8 - 16	0.4	2
9060103	ABR400	220V-240V, 50Hz	400	2.5	15	1.7	12 - 24	0.6	2.7
9060104	ABR700	220V-240V, 50Hz	700	3.3	20	2.2	16 - 32	0.8	2.7
9060105	ABR900	220V-240V, 50Hz	900	4.5	25	2.4	20 - 40	1	2.7

Dimension:

Model	Outlet			L1 (mm)	A (mm)	H (mm)	H1 (mm)	H2 (mm)
	L (mm)	L2 (mm)	D (inch)					
ABR200	282.5	71	1"	37	φ145	157	84.5	114.5
ABR300	282.5	71	1"	37	φ145	157	84.5	114.5
ABR400	297	75.5	1"	37	φ175	185	97.5	135.6
ABR700	297	75.5	1"	37	φ175	185	97.5	135.6
ABR900	297	75.5	1"	37	φ175	185	97.5	135.6

* Transition media: dry air
 Max. operating temperature: 40°C
 Max working pressure: 0.1MPa

Wiring:



Installation

- The number of jets installed must exceed the minimum regulatory requirements.
- The blower should be installed in a dry location as close as possible to the spa but should not be installed within 3 meters to comply with electrical standards.
- The check valve must be installed above the water level to prevent water from entering the air blower pump (see Fig. 1).
- The connecting pipe of the air blower pump must be made of heat-resistant material.
- The air blower pump must be securely fixed in place, and the connecting pipe must be fastened in a horizontal position.

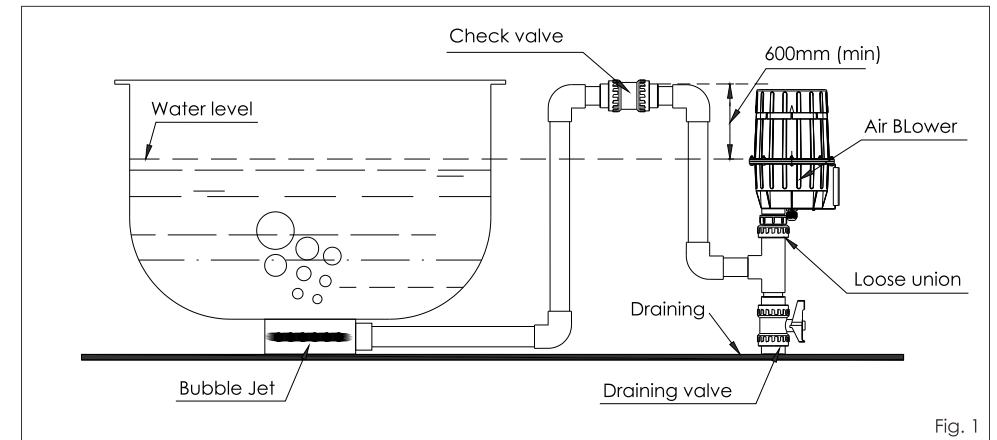


Fig. 1

Trouble shooting

Problem description	Possible causes
Motor does not start	<ol style="list-style-type: none"> 1. Disconnect switch or circuit breaker in off position 2. Fuses blow nor thermal over load open 3. Locked motor shaft 4. Motor windings burned out 5. Defective starting switch inside single phase motor 6. Disconnected or defective wiring 7. Low voltage
Pump does not reach full speed	<ol style="list-style-type: none"> 1. Low voltage 2. Pump connected to the wrong voltage
Motor over heats (protect or trips)	<ol style="list-style-type: none"> 1. Low voltage 2. Motor windings connected to the wrong voltage on dual voltage model 3. Pipe blocked

* Note:

If the above recommendations of this manual do not solve your particular problem(s), please contact your local service agent for further assistance.