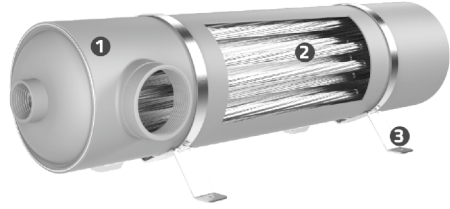


# HET SERIES HEAT EXCHANGER

**Model: HET75/ HET200**

## Product Feature

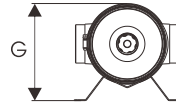
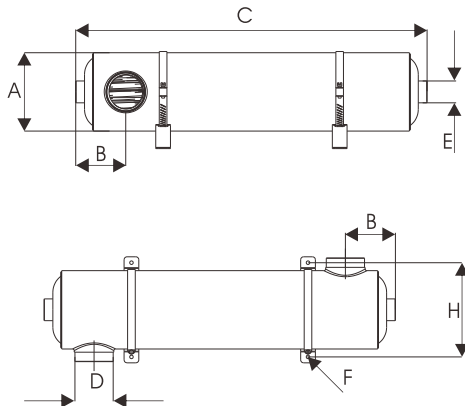
1. Titanium casing: HET75 (  $\phi$  133 x1.5mm)  
HET200 (  $\phi$  96 x1.5mm)
2. Titanium twisted tubes for heat transfer
3. SS AISI-316 stainless steel base
4. Suitable for pools up to 300m<sup>3</sup>
5. 7.5kW or 200kW availability
6. Vertical installation



The Emaux HET series heat exchanger is constructed from titanium, making it ideal for demanding installations with a high risk of corrosion, particularly in saltwater pools or when using a salt chlorinator. Renowned for its impressive output and exceptional heat transfer capabilities, this series is suitable for a variety of applications. Each model is designed for easy installation and compatibility with various systems, including boilers, heat pumps, and solar panel setups. The Emaux HET series is distinguished by its reliability and performance, ensuring effective thermal management in diverse environments.

## Product Dimensions and Technical Information

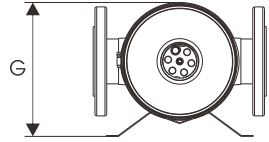
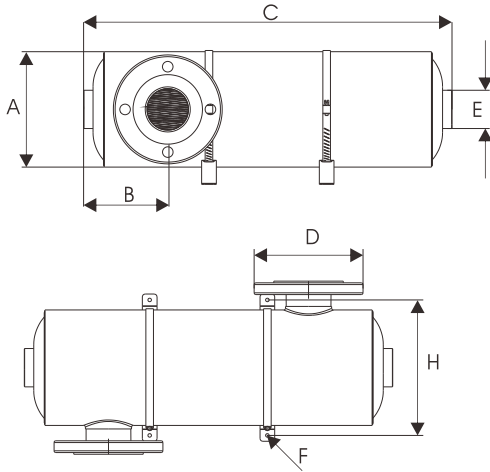
Code	Model	Capacity		Weight	Hot Water Flow (l/min)	Pool Water Flow (l/min)	A mm	B mm	C mm	D mm	E mm	F mm	G mm	H mm
		kW	KBtu/h	Kg										
9170201	HET75	75	260	3.8	35	300	$\phi$ 133	84	537	2"	1"	$\phi$ 6	165	160
9170202	HET200	200	680	13.2	95	600	$\phi$ 196	143	626	2.5"	2"	$\phi$ 6	213	230



## HET75

### Testing Pressure

HET75 pool water circuit 5bar  
HET75 hot water circuit 10bar



## HET200

### Testing Pressure

HET200 pool water circuit 4bar

HET200 hot water circuit 10bar

## Installation

